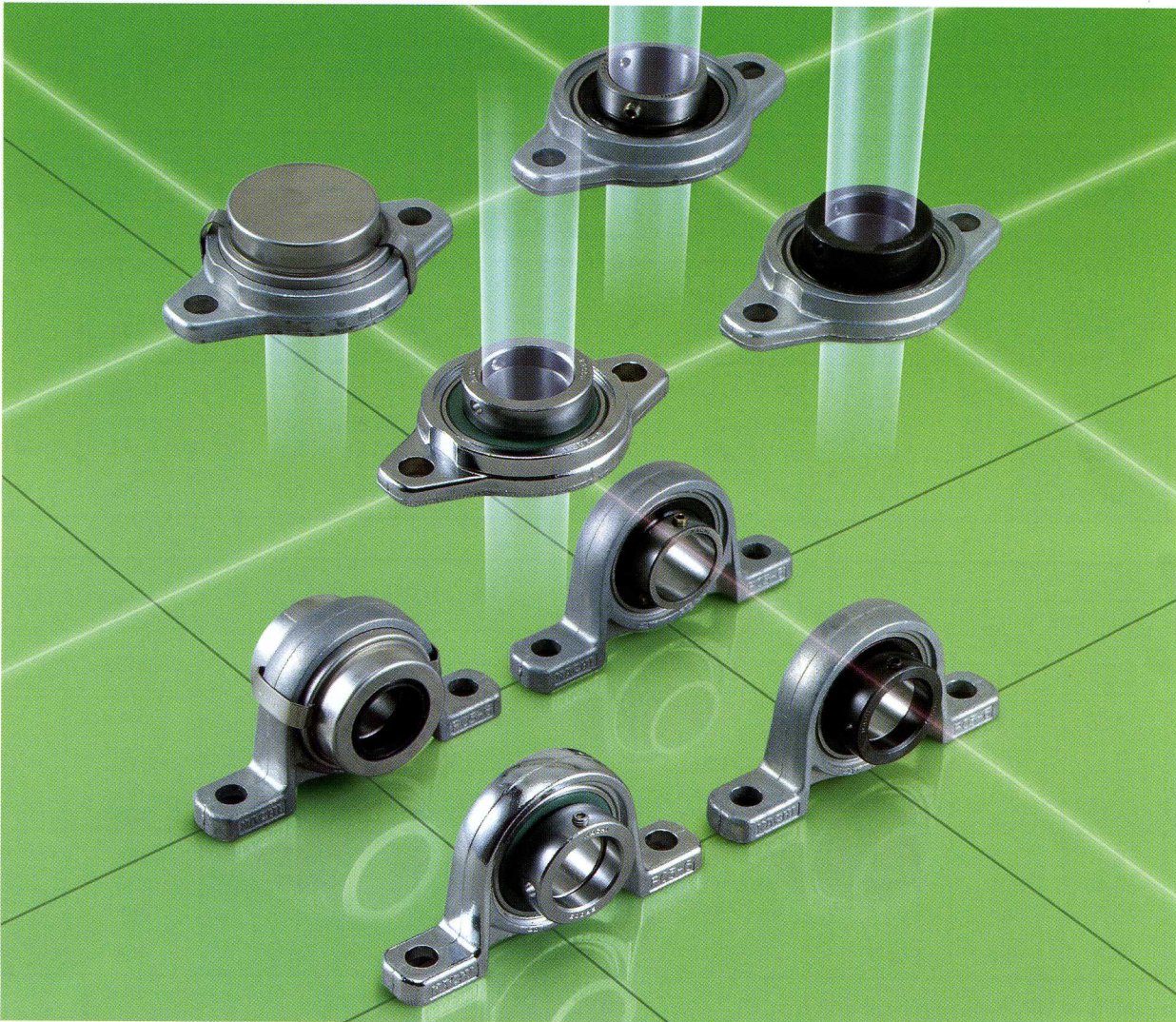


BALL BEARING UNITS

SILVER series, Eccentric locking collar type · Set-screw type

STAINLESS SILVER series, Eccentric locking collar type

A key to cost-energy-space saving machine designs!



● QUICK, ACCURATE POSITIONING BY CENTER-LINE MARKS

Center-line marks provided on housing offer easy, quick and exact positioning, eliminating need for adjustment after mounting. For positioning, just scribe the lines on supporting frame and match them with the center-line marks.

● COMPACT & LIGHT-WEIGHTED

This feature permits high performance and more space-saving machine and equipment designs.

● EASY & QUICK TO MOUNT

Eccentric locking collar or set-screw ensures fast and positive locking of bearing to the shaft.

● HIGH SEALING EFFICIENCY

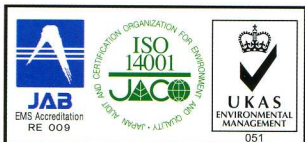
Bearings are effectively sealed. For added protection against dust and humid, units fitted with stainless steel end covers are also available.

● HIGH ANTI-CORROSIVENESS (STAINLESS SILVER series)

Suitable for applications under adverse environmental conditions.

● HIGH SPEED OPERATION

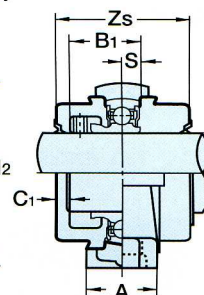
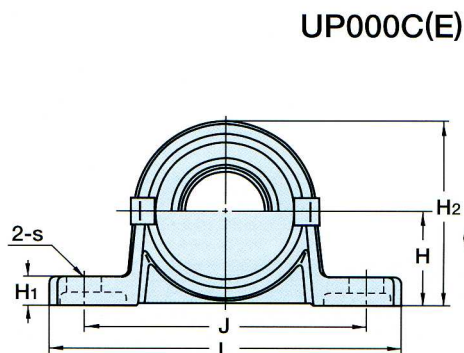
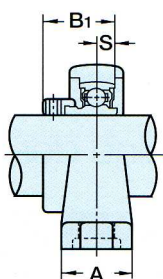
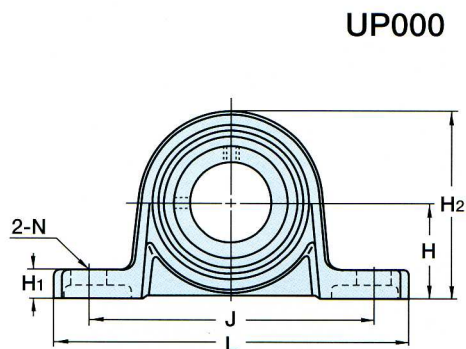
Compact bearing design permits high speed operation.



Pillow blocks Eccentric locking collar type

UP000 type

UP000C(E) type



Shaft dia. (mm)	Unit No.	Dimensions (mm)											Mounting bolt size
		H	L	J	A	N	H ₁	H ₂	B ₁	S	C ₁	Z _s	
8	※ UP08	15	55	42	13	4.8	5	29	15	3.5	—	—	M 4
10	UP000	18	67	53	16	7	6	35	17.5	4	2	33	M 6
12	UP001	19	71	56	16	7	6	38	17.5	4	2	33	M 6
15	UP002	22	80	63	16	7	7	43	18.5	4.5	2	34	M 6
17	UP003	24	85	67	18	7	7	47	20.5	5	2	38	M 6
20	UP004	28	100	80	20	10	9	55	24.5	6	3	46	M 8
25	UP005	32	112	90	20	10	10	62	25.5	6	3	47	M 8
30	UP006	36	132	106	26	13	11	70	26.5	6.5	4	50	M10

Bearing No.	Bearing		Housing No.	Unit No. with covers	Stainless steel cover No.		Weight (g)		
	Basic load rating (kN)				Open (closed)	Open	Closed	Normal	With cover
	Cr	Cor							
U08 + ER	3.35	1.67	※ P08	—	—	—	47	—	
U000 + ER	4.6	2	P000	UP000C(E)	000CP10	000CPE	77	85	
U001 + ER	5.1	2.4	P001	UP001C(E)	001CP12	001CPE	91	100	
U002 + ER	5.6	2.8	P002	UP002C(E)	002CP15	002CPE	125	135	
U003 + ER	6	3.3	P003	UP003C(E)	003CP17	003CPE	156	170	
U004 + ER	9.35	5.1	P04-5	UP004C(E)	04-5CP20	04-5CPE	230	250	
U005 + ER	10.1	5.8	P05-6	UP005C(E)	05-6CP25	05-6CPE	294	315	
U006 + ER	13.2	8.3	P06-7	UP006C(E)	06-7CP30	06-7CPE	454	480	

Note: ※For availability of UP08, please check with NACHI.

Cr: Dynamic load rating, Cor: Static load rating

●Tolerances

In conformity with JIS B 1558 on ball bearings for units and JIS B 1559 on housings for bearing units.

●Operating temperature range

-10°C to +80°C. For operating temperature beyond this range, please consult with NACHI.

●Shaft selection

Unit: μm

Shaft dia. (mm)		js7	h7
Over	Incl.		
6	10	± 7.5	0~-15
10	18	± 9	0~-18
18	30	± 10.5	0~-21
30	50	± 12.5	0~-25

Note: Use tight fit for applications involving high speed and vibration.

